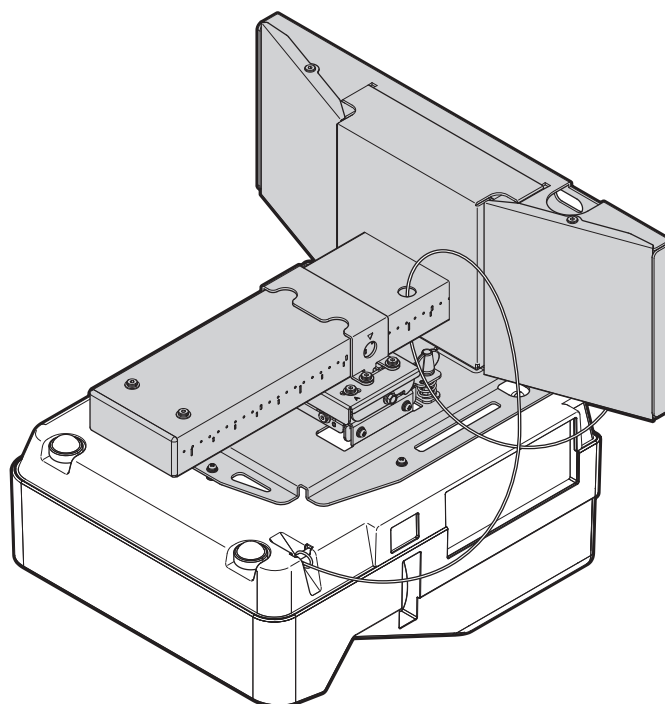


Installation Manual



Setting Plate for Wall Hanging

Model POA-CH-EX06



English

Français

Español

Deutsch

Italiano

Português

日本語

Contents

Safety Instructions	1
List of Accessories	3
Installation Procedure	4
Install the wall plate to the wall	4
Attach the setting plate to the wall plate	5
Securing the projector to the setting plate	6
Adjustment	7
Attach the drop-prevention wire to the projector	9
Projection Distance Table	10
Dimensions	11

Be sure to consult with a qualified installation specialist.

This installation manual describes how to mount the projector to a wall using the setting plate (model POA-CH-EX06).

This setting plate is only for use with Sanyo projectors mentioned below.

- PDG-DWL2500, PDG-DXL2000 and other related models. (For details on available models, please contact your nearest Sanyo dealer.)

Safety Instructions

■ Explanation of Symbols

The warning marks shown below are used in this manual to prevent personal injury or property damage. Make sure you understand these warnings when reading this installation manual.



WARNING

This symbol indicates information that, if ignored, could possibly result in personal injury or even death due to incorrect handling.



CAUTION

This symbol indicates information that, if ignored, could possibly result in personal injury or physical damage due to incorrect handling.



This symbol indicates an action that must not be done.



This symbol indicates an action that should be done.



WARNING



This setting plate is only for use with specified Sanyo projector. Do not use for any other equipment or purpose.



Never modify the setting plate.



Do not hang from the setting plate or hang heavy objects on the setting plate. Be especially careful that children do not hang from it.



Do not install the setting plate in a place where it might be subjected to vibration or shock.



Never loosen the screws, bolts or nuts after installation.












Do not use adhesives to prevent the screws loosening and do not use oils or lubricants for moving parts.



If such substances are applied to the projector's cabinet, the cabinet may crack and fall, causing serious injury to people or serious damage to the projector.

Safety Instructions

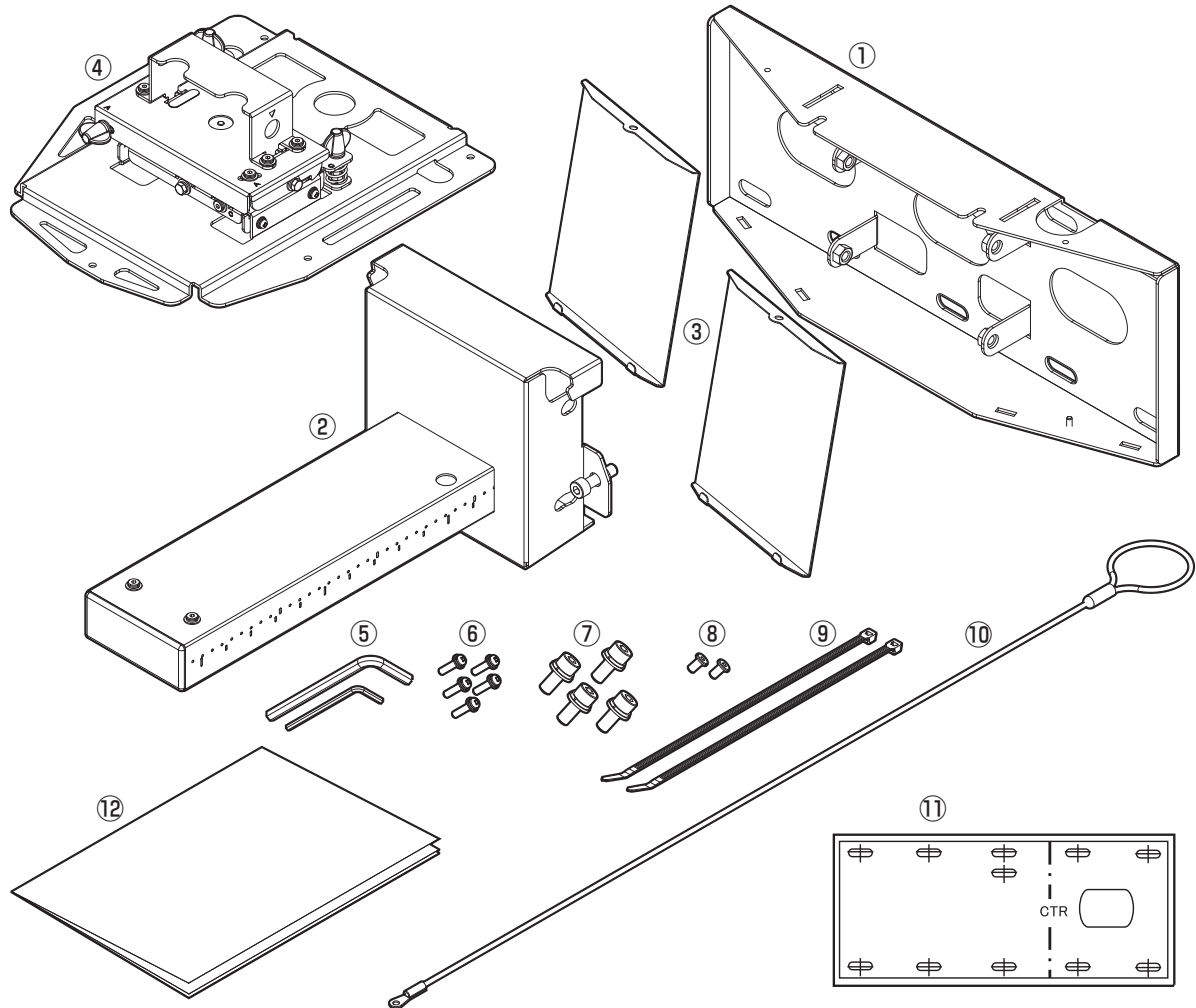
English

	The installation work should be performed by at least two qualified service personnel. If you need to loosen any screws during installation, be careful not to drop the setting plate.
	If mounting the projector on a wall with the setting plate, the wall must have enough strength to hold the projector and setting plate. Confirm the weight of the projector and the setting plate before installation, and check the strength of the wall. If the wall is not strong enough, reinforce the wall before installation.
	Tighten all screws firmly after adjustment.
	Inspect the setting plate on a regular basis to ensure there are no broken parts or loose screws.
 	Install the setting plate to a vertical wall. Do not install to a leaning wall.
	Do not install the setting plate in greasy or smoky place to prevent breakdown or abrasion of the projector's components.
	Do not install the setting plate in steamy, smoky or highly humid places in order to prevent fire or electric shock.
	Do not use a setting plate with damaged parts. The projector or setting plate may fall and cause personal injury or property damage.

CAUTION

	Do not install the setting plate in a location where the operating temperature for your projector model may be exceeded. Such an environment may damage the projector.
	Install the setting plate in a place free from excessive dust and humidity to prevent the lens or optical components of the projector from becoming dirty.

List of Accessories



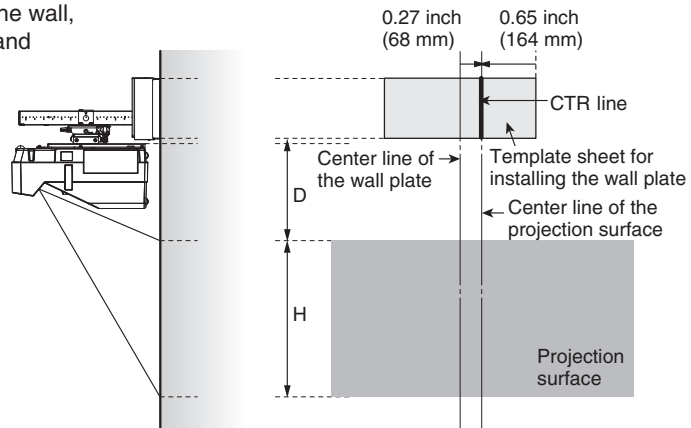
① Wall plate	1	⑧ M5 x 10 mm hexagon socket head cap bolt (for securing cover plates)	2
② Setting plate	1	⑨ Strap for binding cables	2
③ Cover plate	1	⑩ Drop-prevention wire	1
④ Adjustment unit	1	⑪ Template sheet for installing the wall plate ..	1
⑤ Hexagon wrenches 2 (3 mm...1, 6 mm...1)		⑫ Installation Manual (this manual)	1
⑥ Screws M4 x 18 mm (for securing projector and adjustment unit) ..	5		
⑦ M8 x 20 mm hexagon socket head cap bolt (for securing setting plate and wall plate) ...	4		

Installation Procedure

Install the wall plate to the wall

1 Determine the position of the wall plate using the template sheet.

- From the projection distance table (page 10) and dimensions (page 11), confirm the screen size and the distance between the projection surface and wall plate.
- The wall plate and the projection surface have different vertical center lines. Align the CTR line (printed on the template sheet) with the center line of the projection surface as shown in the illustration.
- Confirm where the beams are within the wall, and shift the position vertically or left and right as necessary.

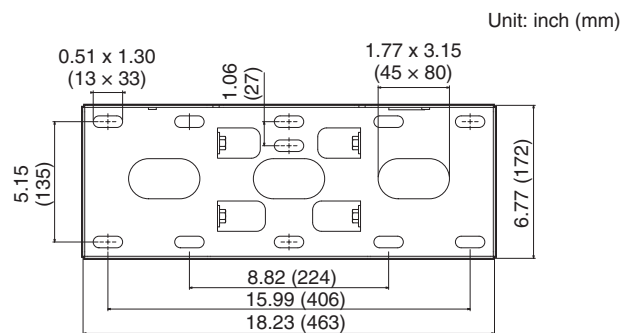
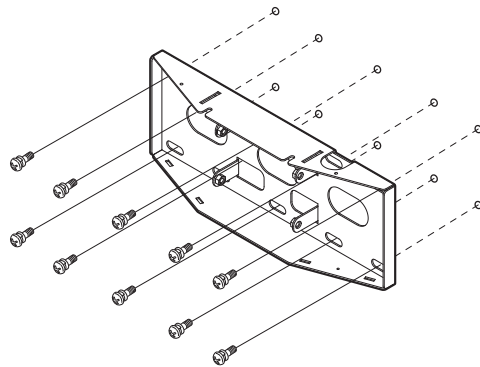


2 Attach the template sheet to the wall.

3 Make mounting holes in the wall in the required locations.

4 Remove the template sheet.

5 Mount the wall plate on the wall.



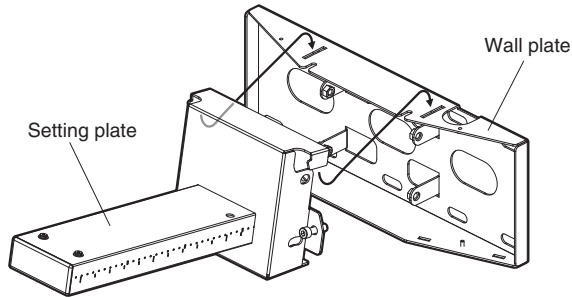
WARNING

- When you install the projector to the wall with the setting plate, the wall needs to be strong enough to hold the projector and the setting plate. Confirm the weight of the projector and the setting plate before installation, and check the strength of the wall. If the wall is not strong enough, reinforce the wall before installation. (Example) The combined mass of the projector (PDG-DWL2500) and the setting plate is approximately 14 kg (30.9 lb).
- Use commercially available anchors.
- Use M12 nuts, bolts and washers (26 mm outside diameter). Nuts and bolts smaller than M12 could cause the setting plate to fall. (The wall plate must be secured in at least four places.)
- Sanyo takes no responsibility for any damages or injury caused by incorrect installation.

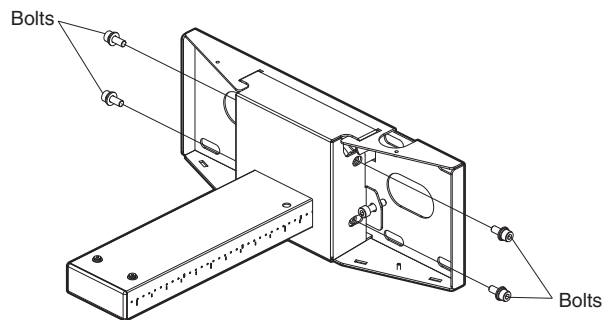
Installation Procedure

Attach the setting plate to the wall plate

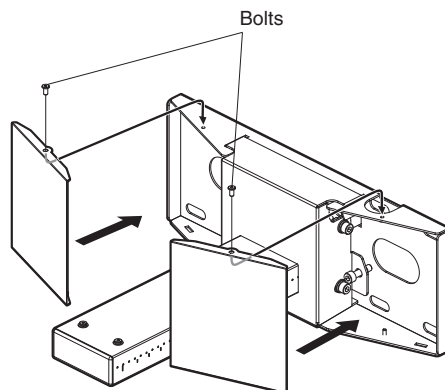
- 1 Hang the setting plate hook onto the wall plate slits.



- 2 Tighten the four M8 x 20 mm hexagon socket head cap bolts supplied with the setting plate. (Secure temporarily so that the adjustment mentioned on page 7 can be carried out.)



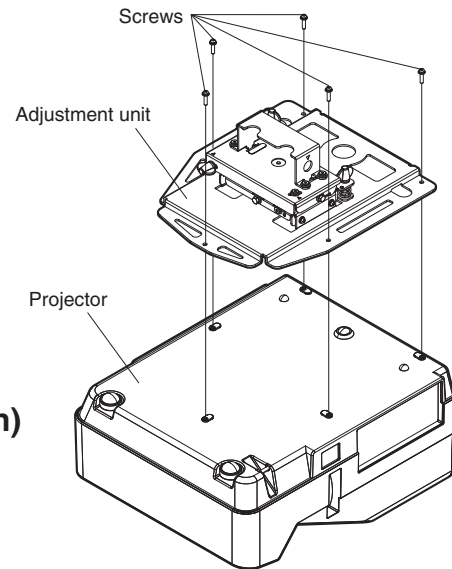
- 3 Attach the left and right cover plates to the setting plate using the two M5 x 10 mm hexagon socket head cap bolts included. (Secure temporarily so that the adjustment mentioned on page 7 can be carried out.)



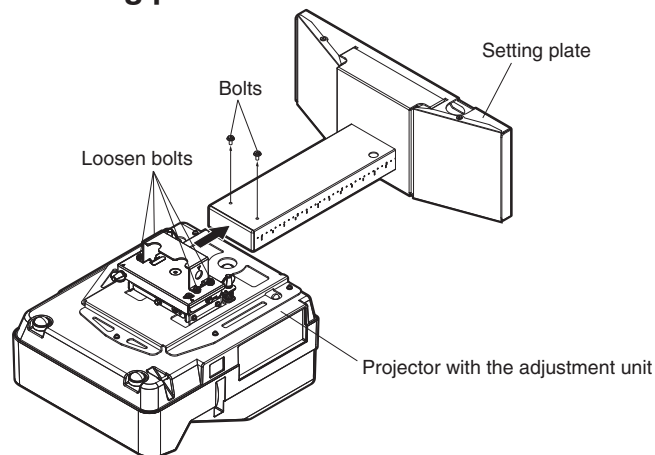
Installation Procedure

Securing the projector to the setting plate

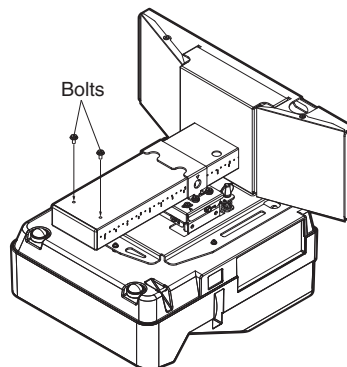
- 1** Attach the adjustment unit to the projector using the included 5 screws (M4 x 18).



- 2** Remove the two bolts (for drop-prevention) from the setting plate. Loosen the four bolts located on the top of the adjustment unit and set the projector with the adjustment unit onto the setting plate.



- 3** Tighten the four bolts which were loosened to secure the projector to the setting plate. Attach the two bolts (for drop-prevention) to the setting plate.

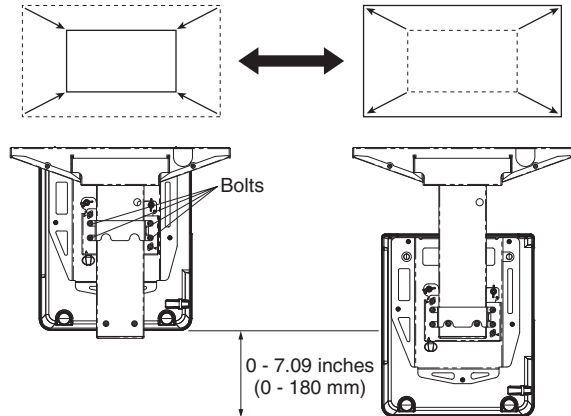


Installation Procedure

Adjustment

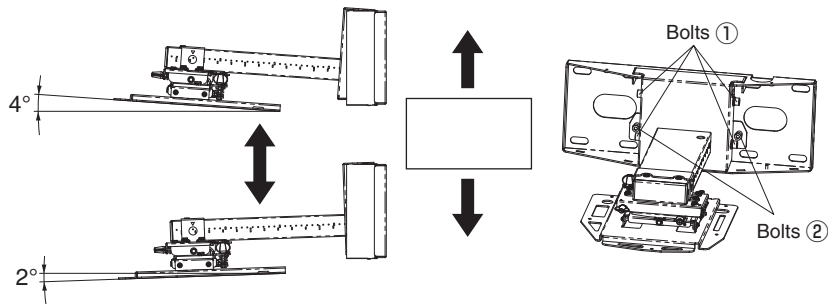
1 Adjust the forward/backward slide (Adjustable range: 0 - 180 mm)

- Loosen the four bolts on the top of the setting plate using a hexagon wrench (3 mm) and adjust the slider of setting plate. After the adjustment, tighten the four bolts which were loosened.



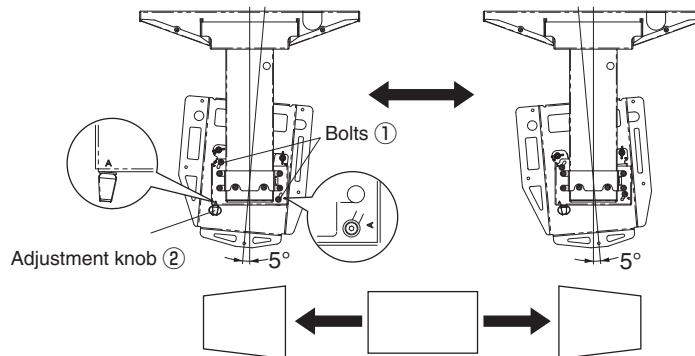
2 Adjust the vertical slide (Adjustable range: +4° - -2°)

- Remove the left and right cover plates.
- Loosen the four bolts ① located inside the setting plate using a hexagon wrench (6 mm).
- Adjust the vertical slide with the two bolts ② located inside the setting plate using a hexagon wrench (6 mm) (Adjust the left and right bolts so that their ends touch equally against the wall plate.)
- Tighten the four bolts ① which were loosened using the hexagon wrench (6 mm).
- After adjustment, attach the left and right cover plates again.



3 Adjust the horizontal rotation (Adjustable range: +5° - -5°)

- Loosen the two bolts ① located on the top of the setting plate using a hexagon wrench (3 mm).
- Turn the adjustment knob ② located on the left side of the setting plate to adjust the horizontal rotation.
- Tighten the two bolts ① which were loosened using the hexagon wrench (3 mm).

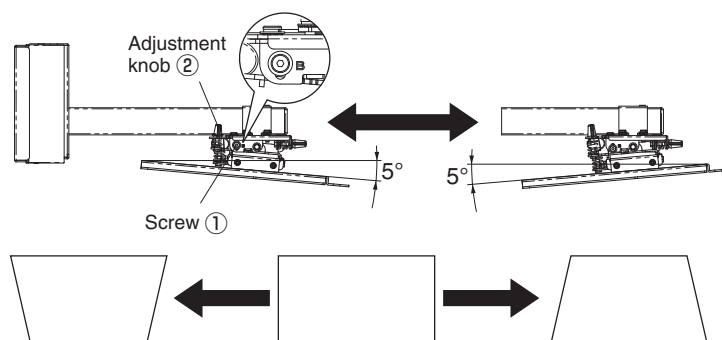


* "A" marks appear on the setting plate to indicate the locations of the bolts and adjustment knob.

Installation Procedure

4 Adjust the vertical tilt (Adjustable range: $+5^\circ$ - -5°)

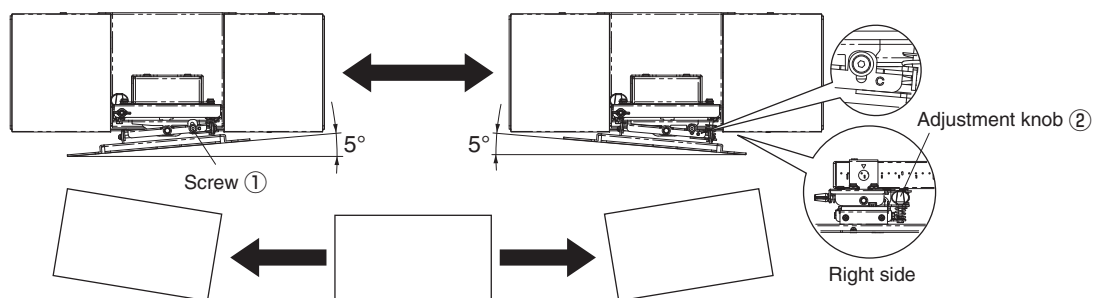
- Loosen the screw ① located on the left side of the setting plate using the hexagon wrench (3 mm).
- Turn the adjustment knob ② located on the left top side of the setting plate to adjust the vertical tilt.
- Tighten the screw ① which was loosened using the hexagon wrench (3 mm).



* "B" marks appear on the setting plate to indicate the locations of the screws and adjustment knob.

5 Adjust the horizontal roll (Adjustable range: $+5^\circ$ - -5°)

- Loosen the screw ① located on the front right side of the setting plate using the hexagon wrench (3 mm).
- Turn the adjustment knob ② located on the right top side of the setting plate to adjust the horizontal roll.
- Tighten the screw ① which was loosened using the hexagon wrench (3 mm).

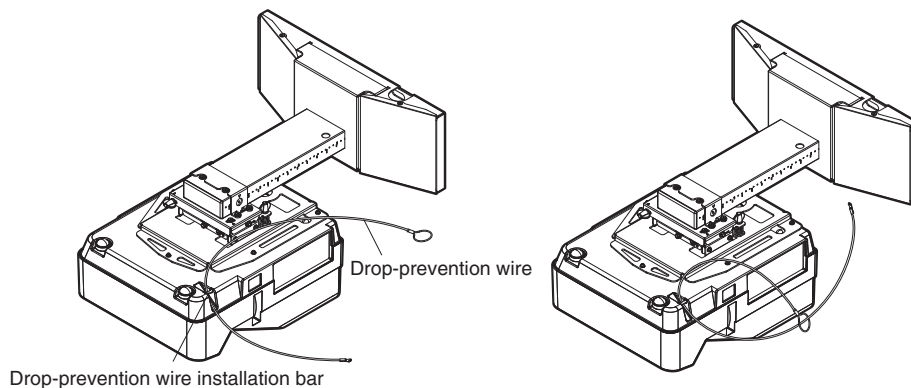


* "C" marks appear on the setting plate to indicate the locations of the screws and adjustment knob.

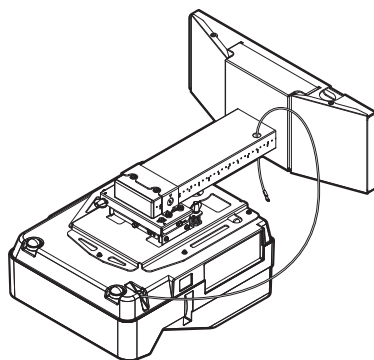
Attach the drop-prevention wire to the projector

To prevent the projector from falling down, use the included drop-prevention wire to connect the projector and the setting plate.

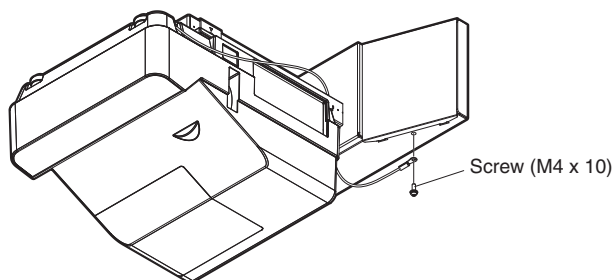
- 1** Pass the included drop-prevention wire through the drop-prevention wire installation bar of the projector as shown in the illustration.



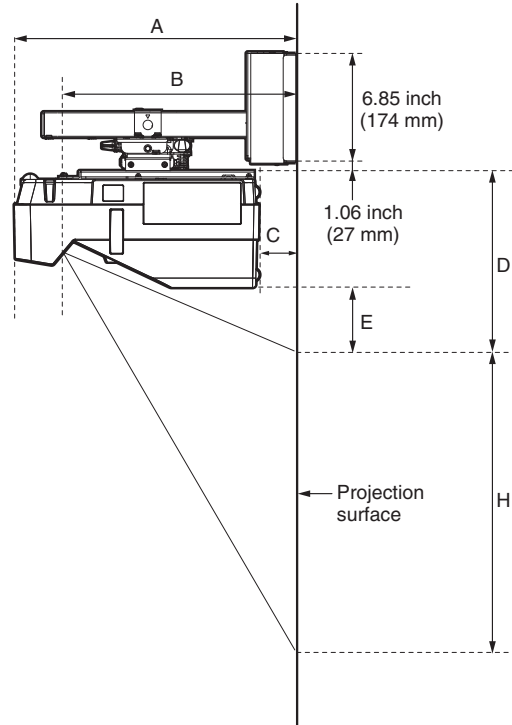
- 2** Pass the wire through the holes of the setting plate as shown in the illustration.



- 3** Secure the end of the wire at the bottom of the setting plate with the screw (M4 x 10) supplied with the setting plate as shown in the illustration.



Projection Distance Table



English

●SANYO PDG-DWL2500

Unit: inch (cm)

Display Size	A	B	C	D	E	H
110" (16 : 10)	21.45" (54.5)	17.91" (45.5)	6.25" (15.9)	12.79" (32.5)	5.78" (14.7)	58.30" (148.1)
100" (16 : 10)	19.68" (50.0)	16.14" (41.0)	4.48" (11.4)	12.00" (30.5)	5" (12.7)	52.99" (134.6)
97.5" (16 : 10)*	19.21" (48.8)	15.66" (39.8)	4.01" (10.2)	11.81" (30.0)	4.80" (12.2)	51.69" (131.3)
96" (16 : 10)	18.97" (48.2)	15.43" (39.2)	3.77" (9.6)	11.69" (29.7)	4.68" (11.9)	50.86" (129.2)
90" (16 : 10)	17.91" (45.5)	14.37" (36.5)	2.71" (6.9)	11.22" (28.5)	4.21" (10.7)	47.71" (121.2)
87" (16 : 10)	17.36" (44.1)	13.81" (35.1)	2.16" (5.5)	10.98" (27.9)	3.97" (10.1)	46.10" (117.1)
80" (16 : 10)	16.14" (41.0)	12.59" (32.0)	0.94" (2.4)	10.43" (26.5)	3.42" (8.7)	42.40" (107.7)
78" (16 : 10)	15.78" (40.1)	12.24" (31.1)	0.59" (1.5)	10.27" (26.1)	3.26" (8.3)	41.33" (105.0)
74.6" (16 : 10)	15.19" (38.6)	11.65" (29.6)	0.0" (0.0)	10" (25.4)	2.99" (7.6)	39.52" (100.4)
70" (16 : 10)	14.37" (36.5)	10.82" (27.5)	-0.82" (-2.1)	9.64" (24.5)	2.63" (6.7)	37.08" (94.2)
60" (16 : 10)	12.59" (32.0)	9.05" (23.0)	-2.55" (-6.6)	8.85" (22.5)	1.85" (4.7)	31.81" (80.8)

* 95"(16 : 9) White board

●SANYO PDG-DXL2000

Unit: inch (cm)

Display Size	A	B	C	D	E	H
90" (4 : 3)	20.74" (52.7)	17.20" (43.7)	5.55" (14.1)	13.62" (34.6)	6.61" (16.8)	54.01" (137.2)
87" (4 : 3)	20.11" (51.1)	16.57" (42.1)	4.92" (12.5)	13.30" (33.8)	6.29" (16.0)	52.20" (132.6)
80" (4 : 3)	18.66" (47.4)	15.11" (38.4)	3.46" (8.8)	12.55" (31.9)	5.55" (14.1)	47.99" (121.9)
78" (4 : 3)	18.22" (46.3)	14.68" (37.3)	3.03" (7.7)	12.36" (31.4)	5.35" (13.6)	46.81" (118.9)
70" (4 : 3)	16.53" (42.0)	12.99" (33.0)	1.33" (3.4)	11.53" (29.3)	4.52" (11.5)	42.00" (106.7)
64" (4 : 3)	15.27" (38.8)	11.73" (29.8)	0.078" (0.2)	10.86" (27.6)	3.85" (9.8)	38.38" (97.5)
63.5" (4 : 3)	15.19" (38.6)	11.65" (29.6)	0.0" (0.0)	10.82" (27.5)	3.81" (9.7)	38.11" (96.8)
63" (4 : 3)	15.07" (38.3)	11.53" (29.3)	-0.11" (-0.3)	10.78" (27.4)	3.77" (9.6)	37.79" (96.0)
60" (4 : 3)	14.44" (36.7)	10.90" (27.7)	-0.74" (-1.9)	10.47" (26.6)	3.46" (8.8)	35.98" (91.4)
55" (4 : 3)	13.42" (34.1)	9.88" (25.1)	-1.77" (-4.5)	9.92" (25.2)	2.91" (7.4)	32.99" (83.8)

* **A**, **B** and **C** show the distances from the projection surface. (If the projector screen is away from the wall, **A**, **B** and **C** show the distances from the projector screen)

Dimensions

Unit: inch (mm)

